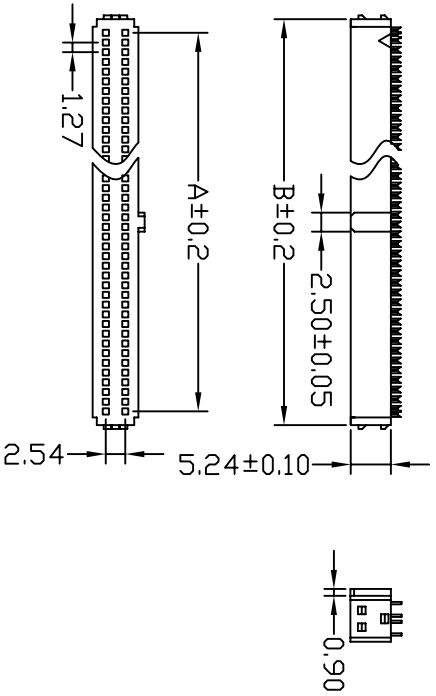
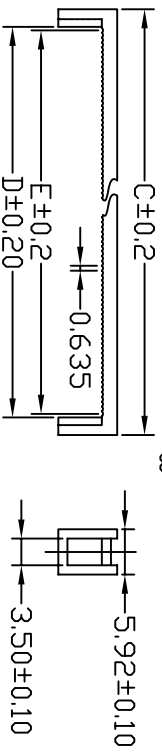
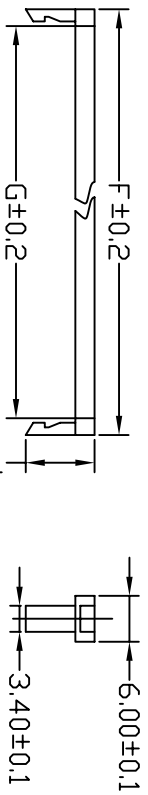


| REV | ECN NO. | DATE |
|-----|---------|------------|
| A | N/A | 2010/08/15 |



*HFC
 PITCH 1.27MM I.D.C SOCKET FOR PITCH 0.635MM CENTER
 FLAT RIBBON CABLE
 MATERIAL&FINISH
 *INSULATOR:PBT+GLASS FIBER UL94V-0
 *CONTACT:BRASS
 *FINISH:GOLD-PLATED OVER NICKEL
 SPECIFICATIONS:
 *CURRENT RATING:0.5A AC,DC
 *TEMPERATURE RANGE:-40°C TO +105 C.
 *CONTACT RESISTANCE:20M MAX
 *INSULATION RESISTANCE:500M MIN.
 *WITHSTANDING VOLTAGE:500V AC/MIN

| PART NO | A | B | C | D | E | F | G |
|---------|-------|-------|-------|-------|--------|-------|-------|
| 20 | 11.43 | 14.83 | 17.58 | 13.0 | 11.41 | 11.41 | 19.55 |
| 26 | 15.24 | 18.64 | 21.39 | 16.81 | 15.875 | 15.22 | 23.36 |
| 30 | 17.78 | 21.19 | 23.93 | 19.35 | 18.415 | 17.76 | 19.55 |
| 34 | 20.32 | 23.72 | 26.47 | 21.89 | 20.955 | 20.3 | 22.09 |
| 40 | 24.13 | 27.46 | 30.26 | 25.70 | 24.765 | 24.11 | 25.90 |
| 50 | 30.48 | 33.85 | 36.60 | 32.12 | 31.115 | 36.81 | 32.25 |
| 60 | 36.83 | 40.10 | 42.96 | 38.46 | 37.465 | 43.16 | 38.60 |
| 68 | 41.91 | 45.14 | 48.08 | 43.38 | 42.545 | 48.24 | 43.68 |
| 80 | 49.53 | 52.77 | 55.65 | 51.34 | 50.165 | 55.86 | 51.30 |
| 100 | 62.23 | 65.50 | 68.30 | 63.64 | 62.865 | 68.56 | 64.00 |

SIGNATURE DATE TITLE:

2010/08/15

HFC SERIES

CUS. P/N:

CODE. NO.

CUS. NO.

SCALE NONE

UNIT mm

PAGE 1/1

TOLERANCE:

XX.

X.

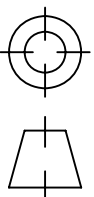
.X ±0.2

.XX ±0.10

ANG.

DRAWING NO.

HF-001



APP.

CHK.

DRN.